

DS-2AE7037(N)I/23(N)I-A

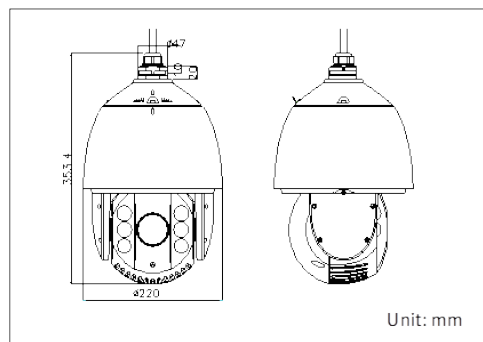
700TVL Analog IR PTZ Dome Camera



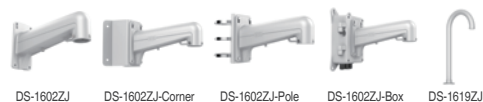
Key features

- 1/3" Sony CCD
- 700TVL horizontal resolution
- 37X / 23X optical zoom, 16X digital zoom
- Up to 120m IR distance
- True Day/Night, Digital WDR
- 3D intelligent positioning
- Support UTC(Up The Coax) function

Dimensions



Accessories



Available models

DS-2AE7037I-A: PAL, 24VAC, outdoor
 DS-2AE7037NI-A: NTSC, 24VAC, outdoor

DS-2AE7023I-A: PAL, 24VAC, outdoor
 DS-2AE7023NI-A: NTSC, 24VAC, outdoor

	DS-2AE7023(N)I-A	DS-2AE7037(N)I-A
Camera		
Image Sensor	1/3" Sony CCD	
Effective Pixel	PAL: 976(H)×582(V), NTSC: 976(H)×494(V)	
Horizontal Resolution	Horizontal Resolution: 700TVL	
Min. illumination	Color: 0.02lux/(F1.6, AGC ON), B/W: 0.002lux/(F1.6, AGC ON), 0 lux with IR	
White Balance	Auto / Manual / ATW / Indoor / Outdoor	
AGC	Auto / Manual	
S / N Ratio	≥ 50dB	
Digital Noise Reductio	3D DNR	
Wide Dynamic Range	Digital WDR	
Shutter Speed	PAL: 1 ~1/10,000s, NTSC: 1 ~1/10,000s	
Day & Night	IR Cut Filter	
Digital Zoom	16X	
Privacy Mask	8 privacy masks programmable, optional multiple colors and mosaics	
Focus Model	Auto / Semiautomatic / Manual	
Lens		
Focal Length	4 ~ 92mm, 23X	3.2 ~118.4mm, 37X
Zoom Speed	Approx 3.0s(Optical Wide-Tele)	Approx. 3.0 s(Optical Wide-Tele)
Angle of View	49 ~2.2 degree(Wide-Tele)	58~1.7 degree(Wide-Tele)
Min. Working Distance	10 ~1000mm (Wide-Tele)	
Aperture Range	F1.6 ~ F3.7	F1.6 ~ F4.4
Pan and Tilt		
Pan / Tilt Range	Pan: 360°endless; Tilt: -15° ~90° (Auto Flip)	
Pan / Tilt Speed	Pan Manual Speed: 0.1° ~160°/s, Pan Preset Speed: 240°/s Tilt Manual Speed: 0.1° ~120°/s, Tilt Preset Speed: 200°/s	
Proportional Zoom	Rotation speed can be adjusted automatically according to zoom multiples	
Number of Preset	256	
Patrol	10 patrols, up to 32 presets per patrol	
Pattern	5 patterns, with the total recording time not less than 15 minutes	
Power-off Memory	Support	
Park Action	Preset / Patrol / Pattern / Pan / Tilt / Auto / Random / Frame / Panorama scan	
PTZ Position Display	On / Off	
Compass	Support , the north can be set	
Scheduled Task	Preset / Patrol / Pattern / Pan / Tilt / Auto / Random / Frame / Panorama scan	
Infrared		
IR Range	Up to 120m	
IR irradiation angle	Automatically adjusted, depending on the zoom ratio	
Input/ Output		
Video Output	1.0V[p-p] / 75Ω, PAL / NTSC composite, BNC	
RS-485 Interface	Half-duplex mode, self-adaptive HIKVISION, Pelco-P, Pelco-D	
UTC function	Self-adaptive PELCO_C, HIKVISION_C	
General		
Power	24 VAC, max.30W	
Working Temperature	-30°C ~65°C (-22°F ~149°F)	
Humidity	90% or less	
Protection Level	IP66 TVS 4,000V lightning protection, surge protection and voltage transient protection	
Dimensions	Φ220 × 353.4mm (Φ8.66" × 13.91")	
Weight	Approx. 4.5kg(9.92lbs)	
Mount Option	Long-arm wall mount: DS-1602ZJ; Corner mount: DS-1602ZJ-corner; Pole Mount: DS-1602ZJ-pole; Power box mount:DS-1602ZJ-box;Swan-neck mount: DS-1619ZJ	