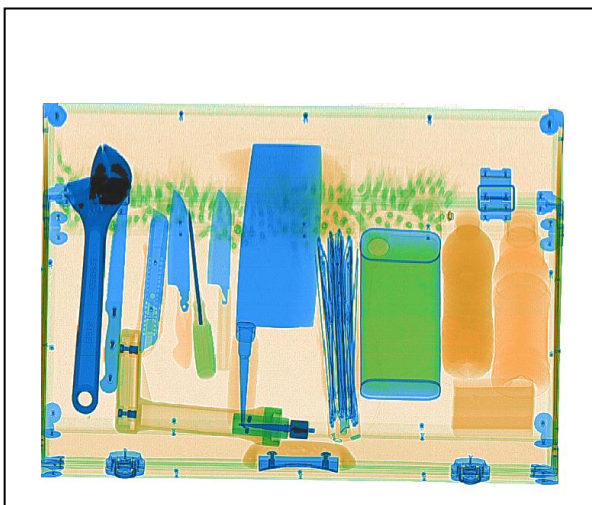
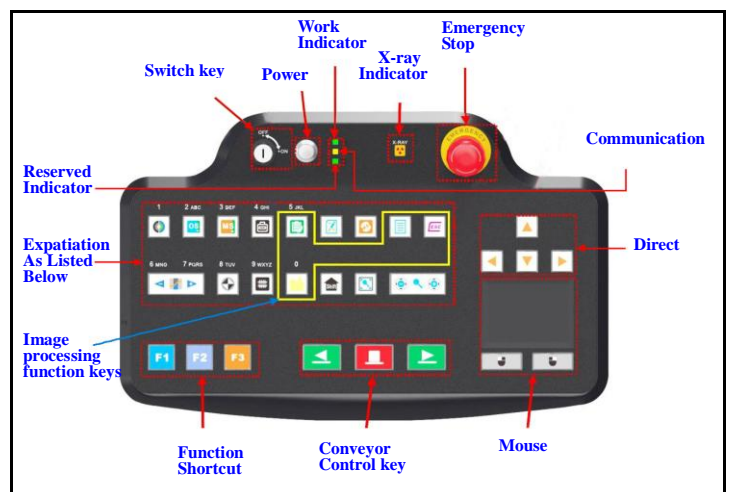




## AT5030C



**High resolution image**



**Friendly operation keyboard**

**Security Electronic Equipment Co., Ltd.**

Tel: +86-755-61218413 / Fax: +86-755-61218490

E-mail: [sales04@xraysecuscan.com](mailto:sales04@xraysecuscan.com)

X Ray Inspection System, Container & Vehicle Scanner, Under Vehicle Scanning System, Explosives and Narcotics Detection, Liquid Scanner, Walk Through Metal Detectors, Explosive Disposal Device

### ◆ General Specification :

**Tunnel Size:** 500mm×300mm

**Conveyor Speed:** 0.22m/s

**Conveyor height :** 663mm

**Conveyor Max Load:**150kg

**X ray Dose per inspection** <0.1.25μSv

**Wire Resolution:** 38AWG guarantee, 40 AWG typical

**Spatial resolution Level:** dia1.0mm,Vertical: dia1.0mm

**Penetration:** 30mm steel guarantee ,32mm steel typical

**Film Safety :**Guarantee ASA/ISO1600 Film

**X-ray Leakage:** <0.87 μSv/h (at a distance of 5cm From external housing)

### ◆ Image System :

**Technical Principle:** Dual-energy X-ray Imaging; L Shaped Array,

**X-ray Sensor:** L-Shaped Photodiode Array (**multi-energetic**)

**Monitor:** High Resolution Color, LCD Accord, 17inch

**Image Display:** High resolution of 1024 \* 1280 pixel; Image Grey Level: 65536

**Image Enhancement:** 1-64times enlargement continuity, Color/BW, negative, high/low penetration, organic /inorganic Stripping, general enhancement, and pseudo color, etc.

**Image Recall:** All preceding images recallable, retrieval.

**Explosives & Narcotics Detection:** Assist suspicious Explosives & narcotics alarm and highlight according to atomic number signature

**High Density Region Alarm:** Impenetrable region alarm and highlight, for possible concealing of threats and contrabands

**Threat Image Projection:** Inserting fictional, but realistic images of threat items into baggage during screening operation, for maintenance of vigilance, as well as training and assessment of image identification capability

**Image Archive:** Up to 100,000 images stored automatically, enable transferring to USB disk, and converting to JPG, BMP and other general formats

**Miscellaneous Functions :** Time/date display, counters, user management, system-on/X-ray-on timers, power on self test, built-in diagnostic facilities, dual-direction scanning, system log, system standby,etc.

**Network Applications:** Multiple remote applications available based on Ethernet LAN and windows platform, such as image centralized storage and identify, recheck workstation, and network TIP, etc ( Optional) .

**Images process:** 24bit real time processing ,4colors analysis, Images displayed marked date and ID NO ,Count the number of bags ,Memory gray level:65536

### ◆ Operating Environment:

**Operation temperature/Humidity:** 5°C-40°C/10%-95%(non-condensing)  
**Storage Temperature/Humidity:** -20°C to 60°C / 5%-95%(non-condensing)  
**Operation Power:** 220VAC(±10%)50±3Hz (Optional: 100VAC,110VAC,120VAC,200VAC)  
**Power Consumption:** 1.0KW (max), 0.7KW(working)  
**Noise:** <58db  
**Dimension Size**  
**Dimensions (L×W×H) :**1660mm x746mm x1165 mm  
**Device Weight:** 330Kg  
**G.Weight:** 470Kg  
**Packing Volume:** 2.35CBM

### ◆ Computer Character:

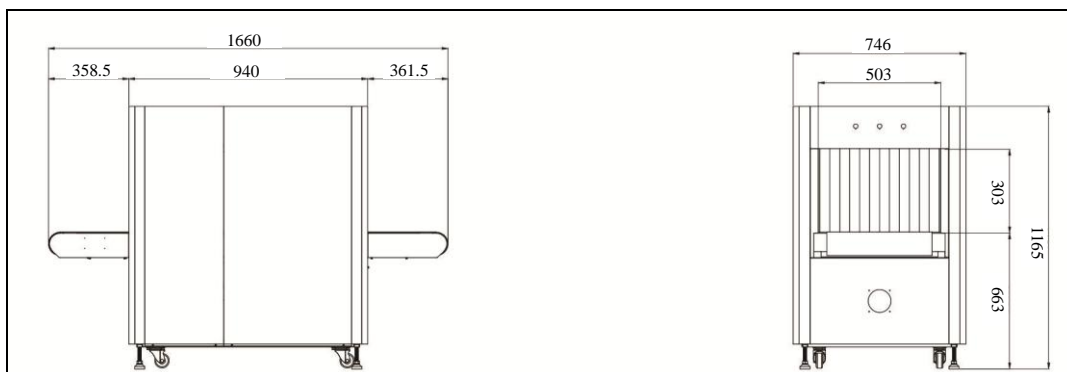
**CASE:** GT6058  
**Power:** 300W/ATX  
**Main board:** H61 SYM76993VGGA  
**CPU:** G1610 2.6G  
**Storage:** 2GB 1600MHz DDR3 Innodisk  
**Hard Disk:** SEAGATE 500G 3.5"

### ◆ X-ray Generator:

**Anode Voltage:** 140kv  
**Anode power:** 0.35mA  
**Generate angle:** 80 degree upward  
**Brand:** SECUSCAN ( own made )  
**Generate direct:** from bottom to top  
**Cooling / Duty Cycle:** Oil Cooling /100%

### ◆ Other Characters:

**Detect PCB board:** UK brand Sensortech  
**Extension Rollers:** customize size length  
 Support card reader operator access  
**CD DVR/RW unit:** Optional  
**Computer system:** XP system  
**UPS:** 15mins, 30mins, 60mins etc, optional



**Certificates:** ☆ISO19001 ☆ISO14001 ☆OHSMS18001 ☆CE ☆Health Inspection Report ☆Computer Software Copyright Registration Certificate ☆Software Product Registration Certificate ☆ Certificate from Ministry of Public Security ☆Safety and Police Electronic Products Quality Inspection Center ☆Patent No. : 201020700245.2 ☆Patent No. : 201020700245.8 ☆Patent No. : 201020700256.0

**Security Electronic Equipment Co., Ltd.**

Tel: +86-755-61218413 / Fax: +86-755-61218490 E-mail: [sales04@xraysecuscan.com](mailto:sales04@xraysecuscan.com)

X Ray Inspection System, Container & Vehicle Scanner, Under Vehicle Scanning System, Explosives and Narcotics Detection, Liquid Scanner, Walk Through Metal Detectors, Explosive Disposal Device