

DS-2CE56D1T-(A)IRZ



Key Features

- 2 Megapixel high-performance CMOS
- Analog HD output, up to 1080P resolution
- 2.8 – 12mm motorized vari-focal lens
- True Day/Night, Smart IR
- Up to 30m IR distance
- OSD menu
- 24V AC/ 12V DC (-A)

Specification

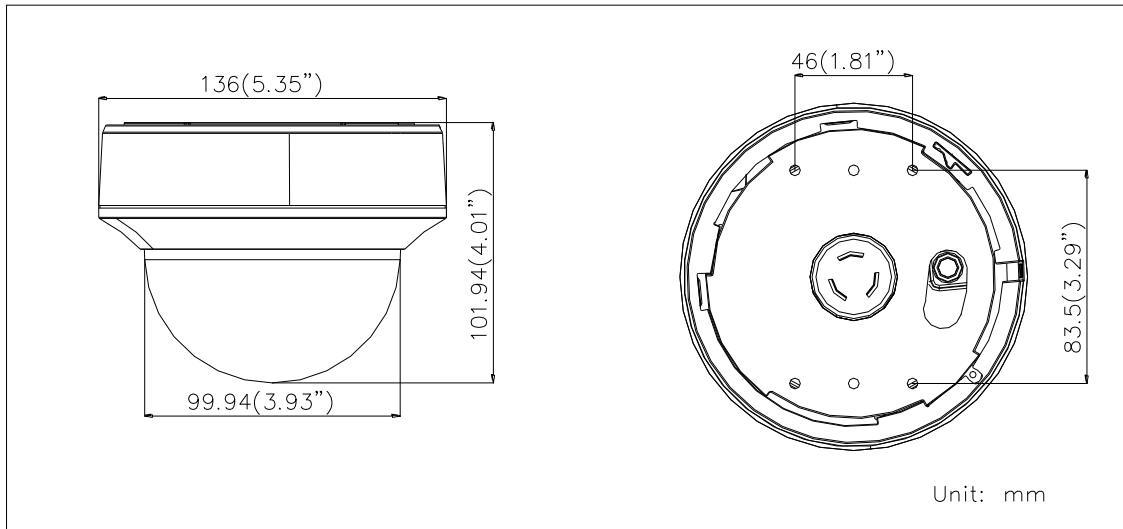
Model	DS-2CE56D1T-(A)IRZ
Parameter	Turbo HD1080p Motorized Vari-focal IR Dome Camera
Camera	
Image Sensor	2MP CMOS Image Sensor
Signal System	PAL/NTSC
Effective Pixels	1930(H)*1088(V)
Min. Illumination	0.01 Lux @ (F1.2,AGC ON),0 Lux with IR
Shutter Time	1/25(1/30) s to 1/50,000 s
Lens	Motorized VF lens; 2.8 - 12 mm @ F1.4 Angle of view: 114.5° - 35.1°
Lens Mount	φ14
Angle Adjustment	Pan: 0 - 340°, Tilt: 0 - 75°, Rotation: 0 - 355°
Day & Night	ICR
Synchronization	Internal synchronization
Video Frame Rate	1080p@25fps/1080p@30fps

HD Video Output	1 Analog HD output
S/N Ratio	> 62dB
Menu	
Camera ID	On/off (0-255)
AGC	Support
D/N Mode	Color/BW/Auto/EXT
White Balance	Auto/User/Push/8000K/6000K/4200K/3000K
Privacy Mask	On/Off, maximum 2 zones
Motion Detection	On/Off, maximum 4 zones
BLC	Support
Anti-flicker	On/Off
Language	English/Chinese
Functions	Digital noise reduction, Mirror
General	
Working Temperature/Humidity	-20 °C – 45 °C (-4 °F – 113 °F) Humidity 90% or less (non-condensing)
Power Supply	12 VDC±15% -A: 12 VDC±15%, 24 VAC±15%
Power Consumption	Max. 4W -A: Max. 5W
IR Range	Up to 30 m
Communication	Up the coax Protocol: HIKVISION-C(Coaxitron)
Dimensions	Φ 136 × 101.94 mm (Φ 5.35" × 4.01")
Weight(approx.)	430 g (0.95 lb)

Order Model

DS-2CE56D1T-IRZ, DS-2CE56D1T-AIRZ

Dimension



Accessory



DS-1H18
Video Balun



DS-TT-X41T
TVI Tester