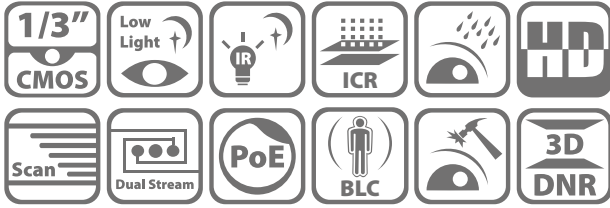


# DS-2CD2110F-I(S)(W) (1.3MP)

# DS-2CD2120F-I(S)(W) (2.0MP)

## IR Fixed Dome Network Camera

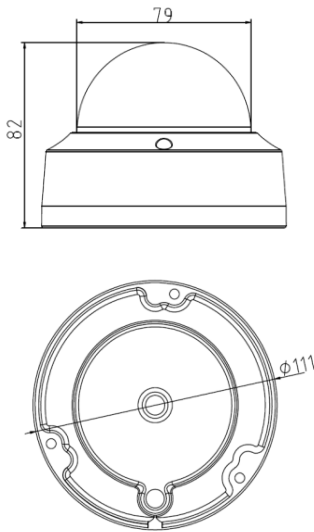
\* Product picture and technical specs subject to change without previous notice.  
For further information, please contact our local sales representatives.



### Key features

- 1.3MP/2MP high resolution
- HD real-time video
- 3D DNR & DWDR & BLC
- IR LEDs: up to 30m
- IP66
- Vandal-proof
- PoE

### Dimensions



### Available model

- DS-2CD2110F-I(S)(W) (1.3MP)
- DS-2CD2120F-I(S)(W) (2.0MP)

	DS-2CD2110F-I(S)(W)	DS-2CD2120F-I(S)(W)
<b>Camera</b>		
Image sensor	1/3" Progressive Scan CMOS	
Min. illumination	0.01 lux@F1.2, AGC ON, 0 lux with IR	0.07Lux @F1.2, AGC ON, 0 lux with IR
Shutter time	1/3s ~ 1/100,100s	
Lens	4mm @ F2.0, (2.8mm, 6mm optional) Angle of view: 98.5°(2.8mm), 79°(4mm), 49°(6mm)	4mm @ F2.0, (2.8mm, 6mm optional) Angle of view: 98.5°(2.8mm), 79°(4mm), 49°(6mm)
Lens mount	M12	
Angle adjustment	Pan: 0° ~ 355°, Tilt: 0° ~ 65°, Rotation: 0 ~ 360°	
Digital noise reduction	3D DNR	
Wide dynamic range	Digital WDR	
Day & night	IR cut filter with auto switch	
<b>Compression Standard</b>		
Video compression	H.264 / MJPEG	
H.264 codec profile	Main profile	
Bit rate	32 Kbps ~ 16 Mbps	
Dual stream	Yes	
<b>Image</b>		
Max. Image Resolution	1280 x 960	1920 x 1080
Frame rate	50Hz: 25fps (1280 x 960), 25fps (1280 x 720) 60Hz: 30fps (1280 x 960), 30fps (1280 x 720)	50Hz: 25fps (1920 x 1080), 25fps (1280 x 720) 60Hz: 30fps (1920 x 1080), 30fps (1280 x 720)
Image settings	Rotate mode, Saturation, Brightness, Contrast adjustable by client software or web browser	
BLC	Yes, zone configurable	
ROI	Yes, up to 3 configurable areas	
<b>Network</b>		
Network storage	Local storage: Built-in Micro SD/SDHC/SDXC card slot, up to 64 GB; NAS	
Alarm trigger	Intrusion detection, Motion detection, Dynamic Analysis, Tampering alarm, Network disconnect, IP address conflict, Storage full, Storage error	
Protocols	TCP/IP, ICMP, HTTP, HTTPS, FTP, DHCP, DNS, DDNS, RTP, RTSP, RTCP, PPPoE, NTP, UPnP, SMTP, SNMP, IGMP, 802.1X, QoS, IPv6, Bonjour	
System compatibility	ONVIF, PSIA, CGI, ISAPI	
General functionalities	User Authentication, Watermark	
General function	Flickerless, dual stream, heartbeat, mirror, password protection, watermark	
<b>Interface</b>		
Communication Interface	1 RJ45 10M/100M Ethernet interface	
<b>Wi-Fi Specification (Only for -W model)</b>		
Wireless Standards	IEEE802.11b, 802.11g, 802.11n Draft	
Frequency Range	2.4 GHz ~ 2.4835 GHz	
Channel Bandwidth	20/40MHz Support	
Protocols	802.11b: CCK, QPSK, BPSK; 802.11g/n: OFDM	
Security	64/128-bit WEP, WPA/WPA2, WPA-PSK/WPA2-PSK, WPS	
Transmit Output Power	11b: 17±1.5dBm @ 11Mbps; 11g: 14±1.5dBm @ 54Mbps; 11n: 12.5±1.5dBm	
Receive Sensitivity	11b: -90dBm @ 11Mbps (Typical); 11g: -75dBm @ 54Mbps (Typical); 11n: -74dBm (Typical)	
Transfer Rates	11b: 11Mbps; 11g: 54Mbps; 11n: up to 150Mbps	
Wireless Range	Outdoor: 200m, Indoor: 50m; *The performance varies based on actual environment.	
Wireless Standards	IEEE802.11b, 802.11g, 802.11n Draft	
<b>General</b>		
Operating conditions	-30 °C ~ 60 °C (-22 °F ~ 140 °F); Humidity 95% or less (non-condensing)	
Power supply	12 V DC ± 10%; PoE (802.3af)	
Power consumption	Max. 5 W (Max. 7 W with IR cut filter on)	
Impact protection	IEC60068-2-75Eh, 20J; EN50102, up to IK10 -W: En50102, up to IK8	
Ingress protection	IP66	
IR range	30 meters	
Dimensions	Φ111 x 82 (4.4" x 3.2")	
Weight	500g (1.1 lbs)	